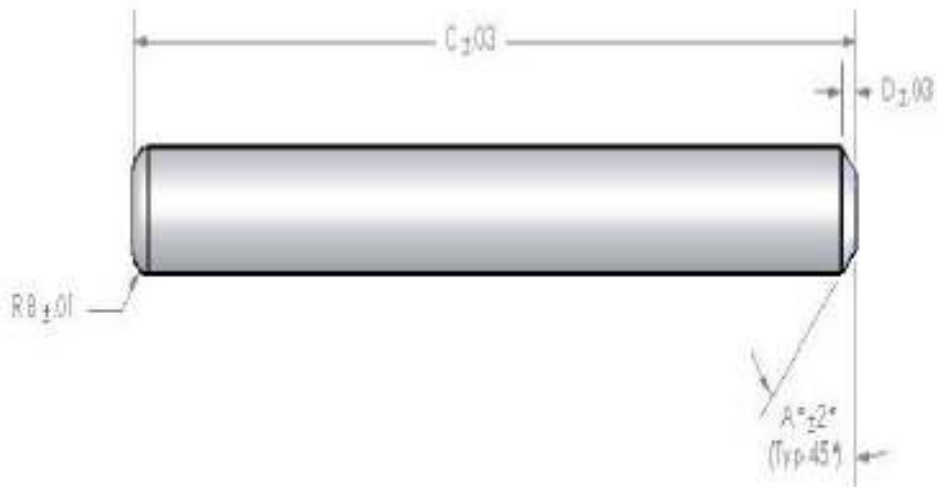


# Machining

## Chamfering

- ▶ Chamfering a part will be more cost effective than putting a radius on a part
- ▶ Dimension A will typically be 45 degrees



## Snap Ring Grooves

- ▶ If G or C are greater than 2" we will have to do it in 2 setups. This will add cost and we will need the additional tolerance of G due to stopping off of both ends
- ▶ If G or C is less than 2" it will have the same tolerance as C
- ▶ Grooves may have radius in bottom if needed for strength (Possibly @ a added cost)

